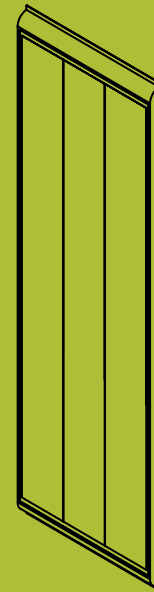
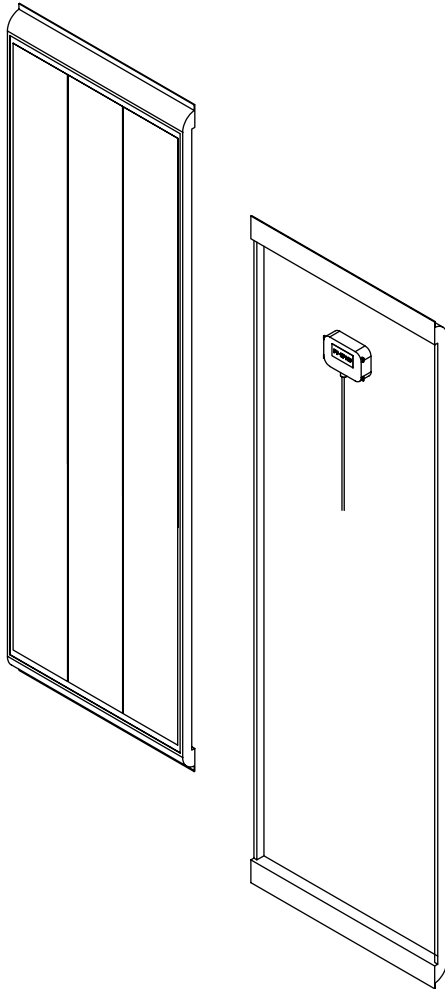


Solar Panel 180W Slimline



SPS180

Name	
SPS180 Slimline	
Art.no.	28112
EAN	8717809281128

Parameters	
Maximum power	180W
Voltage at PMax (Vmp)	21.84V
Open circuit voltage (Voc)	26.02V
Current at PMax (Imp)	8.24A
Short circuit current (Isc)	8.95A
Module efficiency	20,5%

Miscellaneous	
Solar panel	HPBC High efficiency cells
Finishing	Matte film, all black
IP class (junction box)	IP68
Dimensions	L1780 x W530 x D40 mm
Weight	9.59 kg
Warranty	5 year

Accessories	
Roof cable entry	✓
Included cable	1x 5m cable (4 mm ²)